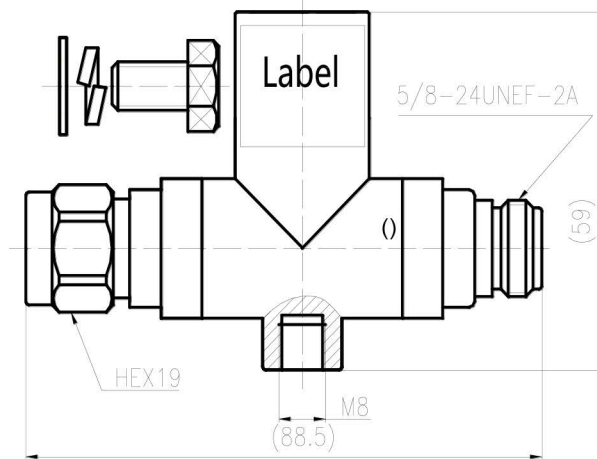


## 1. Figure



## 2. Product Description

NM-NF 2500(1/4λ)

N Type Male to N Female 1/4λ Arrester

## 3. Material and Plating

Body

Brass / Trimetal (Cu-SN-Zn) Plating

Center Contact

—— Jack Side

Tin Bronze/ Ag Plating

—— Plug Side

Brass / Ag Plating

Dielectric

TPX

## 4. Electrical Characteristics

Characteristics Impedance

50 Ohm

Frequency Range

800MHz~2500MHz

Center contact resistance

≤1.0 mΩ

Outer contact resistance

≤0.40mΩ

PIM3

≤-155dBc

Protection Circuit

DC Blocked

Maximum Surge Current

20kA repetition(wave from 8/20us)

Residual Pulse Voltage

≤100V(wave from 8/20us)

Average Power

600Watts@900MHz

Inertion Loss

≤0.2dB@2.2GHz

Return Loss/VSWR

——@806-960MHz

≥24.3dB(1.13:1)

——@960~1710MHz

≤21.7dB(1.18:1)

——@1710-2200MHz

≥23.0dB(1.13:1)

——@800-2500MHz

≤21.7dB(1.18:1)

## 5. Environmental Specifications

Durability (matings)

≥500 cycles

Operating Temperature

-40 °C to +150 °C

Storage Temperature

-40 °C to +100 °C

IP Rating

IP67

RoHS

Compliant